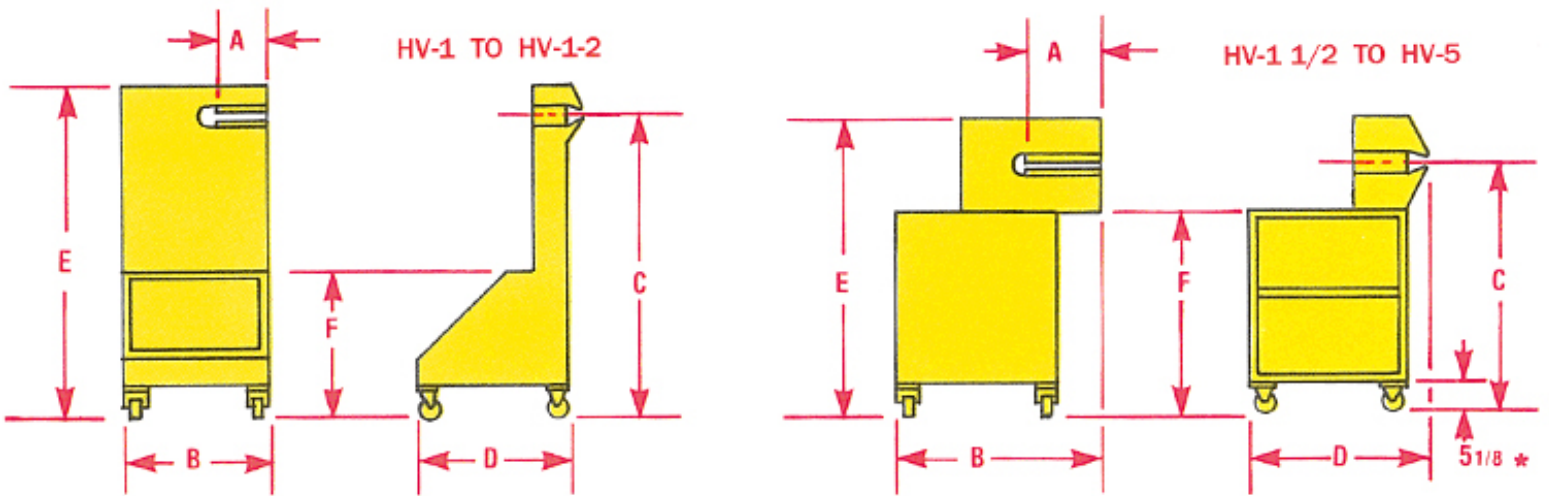


Air Stripper Specifications

Console Unit



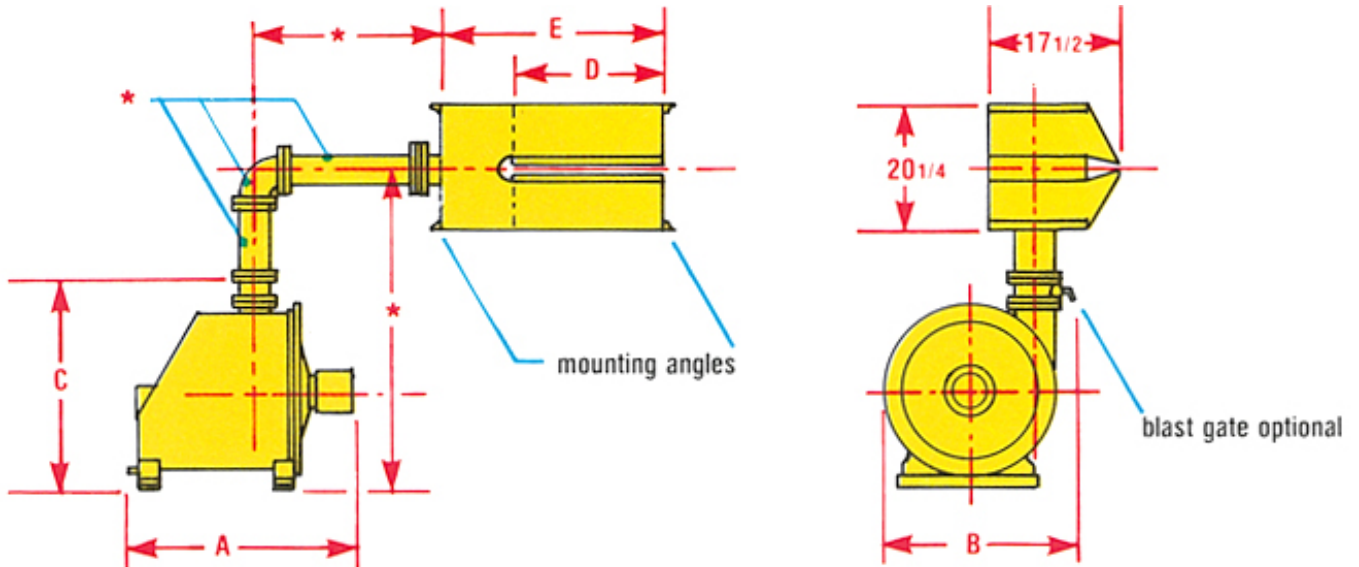
* Casters optional.

Model	Overall Dimensions Inches						No. of 1/8 Dia. Strands	Strip Width Inches	Orifice Inches
	A	B	C	D	E	F			
HV-1	6 7/8	22 1/2	52 3/16	31 3/8	58 1/4	26 1/8	20	6 5/8	
HV-1T		22 1/2	52 3/16	31 3/8	58 1/4	26 1/8			1-4
HV-1-2	10	22 1/2	52 3/16	31 3/8	58 1/4	26 1/8	40	9 3/4	
HV-1-2T		22 1/2	52 3/16	31 3/8	58 1/4	26 1/8			4 1/2 - 6 1/2
HV-1.5	10	38 1/4	53	40 3/8	63 3/4	43 1/4	40	9 3/4	
HV-2	18	38 1/4	53	40 3/8	63 3/4	43 1/4	72	17 3/4	
HV-3	24	38 1/4	53	40 3/8	63 3/4	43 1/4	96	23 3/4	
HV-5	36	38 1/4	53	40 3/8	63 3/4	43 1/4	144	34	

Dimensions are approximate. Consult Berlyn ECM for certified dimensions.

[Berlyn ECM](#)

Separate Head Unit



* Supplied by customer.

Model	Overall Dimensions Inches				
	A	B	C	D	E
HV-232	32 1/8	23 7/8	33 1/4	10	22
HV-332	32 5/16	23 7/8	33 1/4	24	30
HV-532	39 1/8	33 1/2	40	36	58
HV-1032	43 5/8	33 1/2	40	40	58
Dimensions are approximate. Consult Berlyn ECM for certified dimensions.					

[Berlyn ECM](#)