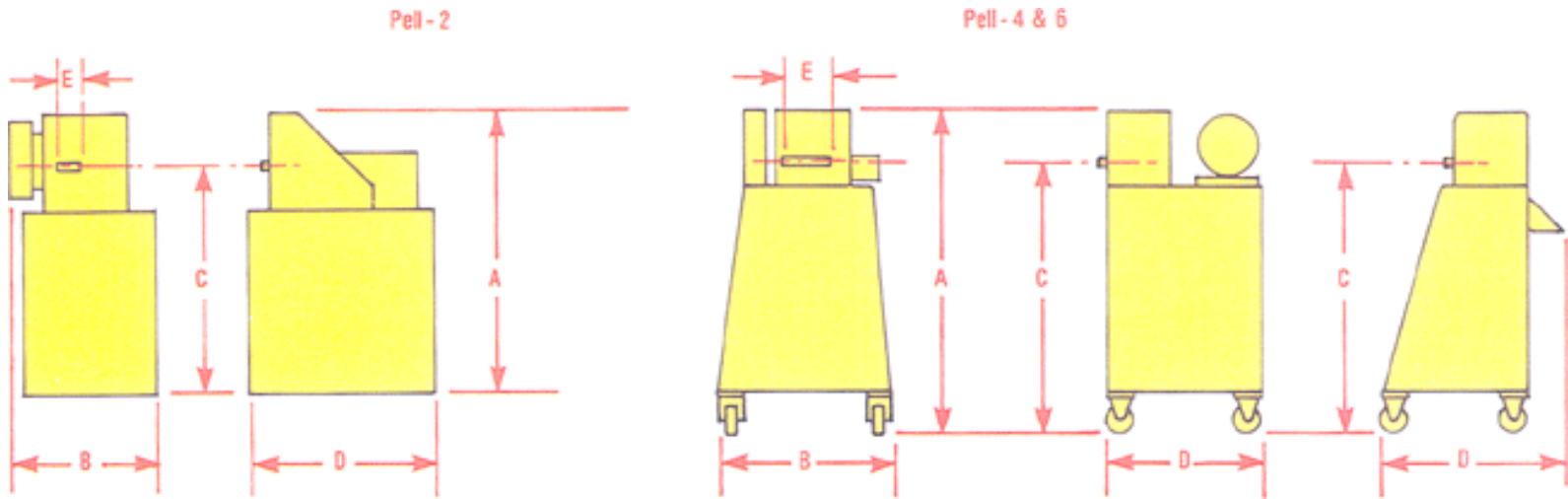


Laboratory Pelletizer Specifications



Model	Pell-2	Pell-4	Pell-6
A	25 1/2"	19"	63 1/2"
B	13 1/2"	24"	31"
C	16 1/2"	42"	52 1/2"
D	27"	25"	28 1/4"
E	2"	4"	6"
No. Knives	4	6	10
Recommended No. 1/8" Strands	4	8	15
Max Line Speed Ft./Min.	72	100	156
Approx. Lbs./Hr.	50	200	450
HP (Std)	1/3	1	3
Shipping Weight Lbs.	175	300	650
Dimensions are approximate, consult Berlyn ECM for certified dimensions.			

[Berlyn ECM](#)